

# HINO 238

4 x 2 CONVENTIONAL

GVW: 23,000 lbs.

BBC: 108"

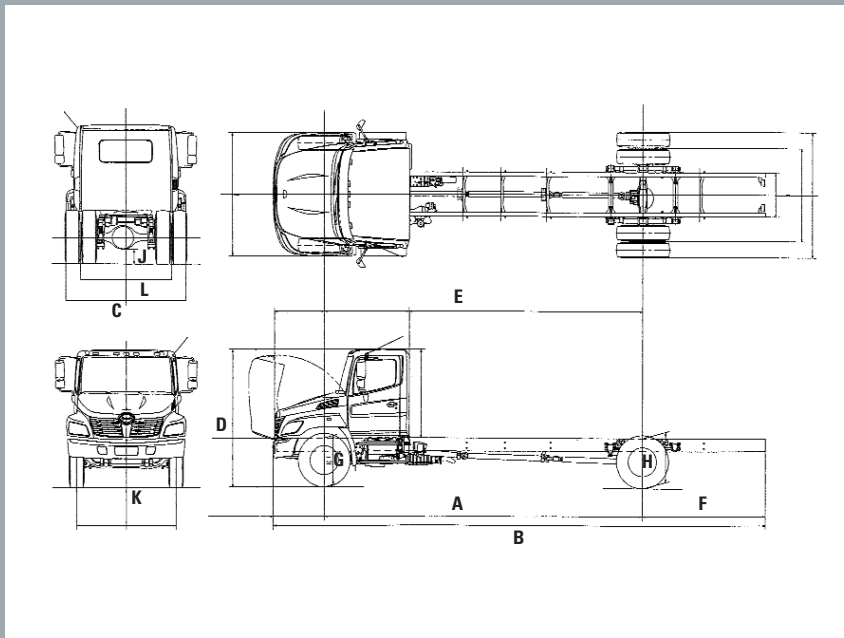
ENGINE MODEL: J08E-TV (Turbo Intercooled)

## DIMENSIONS (On standard specification)

Wheelbase/code	A in.	175.0/J	187.0/L	205.0/M	217.0/P	235.0/R	253.0/T
Overall length	B in.	278.6	302.6	320.6	354.6	372.6	390.6
Overall width	C in.	95.7	95.7	95.7	95.7	95.7	95.7
Overall height	D in.	106.1	106.1	106.1	106.1	106.1	106.1
Cab to axle	E in.	107.6	119.6	137.6	149.6	167.6	185.6
Rear overhang	F in.	63.0	75.0	75.0	97.0	97.0	97.0
Frame height at							
Front axle	G in.	36.2	36.2	36.2	36.2	36.2	36.2
Rear axle	H in.	39.2	39.2	39.2	39.2	39.2	39.2
Road clearance (at diff. axle)	J in.	10.6	10.6	10.6	10.6	10.6	10.6
Tread							
Front	K in.	78.0	78.0	78.0	78.0	78.0	78.0
Rear	L in.	72.0	72.0	72.0	72.0	72.0	72.0
Turning radius							
Tire	ft.	47.8	50.8	55.2	58.2	62.6	67.0
Wall to wall	ft.	51.4	54.4	58.6	61.6	66.0	70.4

## CHASSIS WEIGHTS (On standard specification)

AT	Total weight	lb.	9,300	9,360	9,470	9,590	9,660	9,690
	Front axle	lb.	5,895	5,930	6,030	6,065	6,135	6,185
	Rear axle	lb.	3,405	3,430	3,440	3,525	3,525	3,505



## ENGINE

<b>MODEL</b>	<b>HINO J08E-TV</b>
Type	Diesel 4-cycle, 6-cylinder in-line, water-cooled
Combustion	Direct injection type
Max. output (SAE Gross)	220 hp at 2,500 rpm
Max. torque (SAE Gross)	520 lb.-ft. at 1,500 rpm
Bore and stroke	4.41 x 5.12 in.
Piston displacement	7.680 L
Fuel injection pump	Radial plunger (HP-4)
Governor	Electronically controlled
Intake system	Turbocharged and intercooled
Air cleaner	Paper filter type (DONALDSON)
Fan clutch	Bimetal thermostat sensor regulates fan speed
Glow plugs	Standard
Air compressor	Single cylinder, 6.8 cfm @ 1,250 rpm

## POWERTRAIN & PERFORMANCE

23,000 lbs. GVW		
Powertrain	<input type="checkbox"/> STD.	<input type="checkbox"/> STD.
Max. speed mph	79	79
Startability (tan.θ) %	38.6	38.8
Transmission	Model Allison 2200 HS Std.	
	Type	Five-speed automatic
Ratios	1st.	3.102
	2nd.	1.811
	3rd.	1.406
	4th.	1.000
	5th.	0.712
	6th.	—
	Rev.	4.492
Rear axle gear ratios	5.290	5.130
Tire is combined with ratio	10R22.5-14	255/80R22.5



## WEIGHT CAPACITIES

Front axle	lbs.	8,000
Rear axle	lbs.	17,500
Front spring	lbs.	8,000
Rear spring	lbs.	19,000

## LIQUID CAPACITIES

Fuel tank	gal./US	52
Cooling system	gal./US	6.08
Engine oil	qt./US	10.73

## AXLE / SUSPENSION

Front axle	MFS-8 series reversed Elliot, "I" beam, oil-lubricated
Front spring	Taper-leaf springs w/shock absorbers
Rear axle	RS17-145 series Full-floating, single reduction single-speed by hypoid gearings
Rear spring	Semi-elliptic main and auxiliary helper-leaf spring

## FRAME

Ladder type	Straight C Channel	
Width	in.	34
Yield strength	PSI	80,000
Resisting bending moment (one side)	in-lbs.	1,031,900 no reinforcement

## STEERING

Type	TRW-TAS65 recirculating ball with tilt and telescopic steering column
------	---

## WHEELS / TIRES

6 Wheels	22.5 x 8.25 10-stud disc.
6 Tires	10R22.5 (G)
Pattern	Front rib/Rear lug

## BRAKES

Service brake	Hydraulic system with disc brake for front and rear wheels, with automatic adjustment
Disc diameter x pad area x thickness in.	Front; 15.375 x 18.96 x 0.74 Rear; 15.375 x 18.96 x 0.74
Control	Hydraulic dual circuit with Antilock Brake System (ABS)
Parking brake	Mechanical, internal expanding acting on transmission output shaft
Drum diameter in.	10 : Meritor

## CAB EQUIPMENT

Cab construction	All steel welded
Seating	Three-person
Driver's seat	Adjustable reclining, vinyl with coil suspension
Passenger's seat	Bench type, vinyl (two passenger)
Seat belts	3-point type (driver and passenger), one 2-point type (center)
A/C	134 Denso
Heater/Defroster	18,357 BTU/h
Mirrors outside rearview	Four; one flat and one convex at each side
Sun visors	Two – flip-down
Overhead compartment	Two with latching doors
Chrome grille	Standard
Windshield	Laminated
Windshield wipers	Dual electric, 2-speed and intermittent
Cup holders	Standard
Cigarette lighter	Standard
Coat hook	One (rear panel)
Door pockets	Two
Cruise control	Standard

## DASH INSTRUMENTATION

Meters and gauges
Speedometer-mph (km/h)
Odometer (mile)
Fuel gauge
Coolant temperature gauge
Engine tachometer
Warning lamps and buzzers
Oil pressure warning lamp and buzzer
Brake pressure warning lamp and buzzer
Coolant level warning lamp and buzzer
Battery charging system warning lamp
High beam indicator lamp
Turn signal indicator
Parking brake warning lamp
Engine control system warning lamp
ABS warning lamp
Driver information display
Instant & trip fuel consumption
DPR monitor
Maintenance schedules
Engine/vehicle diagnostics

## ELECTRICAL EQUIPMENT

Batteries	Two, parallel connection, each 12 V
Capacity	1200 CCA
Alternator	12 V, 100 A, brush Delco
Starter	12 V 2.5kw Denso
Audio	AM/FM radio with CD, 2 speaker
Headlamps	Integrated with turn signal and hazard lamps
Stop/Tail lamps	
Back-up lamps	
Side-flasher lamp	
Trucklite LED cab marker lamps	
Electric horn (dual)	

## CHASSIS EQUIPMENT

Fuel pre-filter	Davco 230 FuelPro® Heated fuel/water separator
Reflectors	Two rear, two front side
Tow hook	One at front
Air dryer	NABCO, heated
Air tank	49 L

## OPTIONS

Cloth seats
Rear spring – with shock absorbers
Cold weather package (includes) Heated mirror Block heater
Front bumper (3 pieces)
Front bumper (3 pieces with 4 inch extension / black)
Front bumper (4 inch extension / black)
Front bumper (chrome)
Front bumper (4 inch extension/chrome)
Alternator – 12 V, 105 A, brushless
Battery – 12 V GR31 x 2; GR27 x 3
Tire size – 255/80R22.5-14 (G)
Fuel tank – dual 52 gal./US; 95 gal./US
Power windows
Tires – Front rib, Rear rib
Auto. 2200 RDS trans. with PTO provision
Exhaust system – Stack tail type; vertical stack
Single passenger's seat – adjustable reclining
Chrome mirrors – heated/non-heated
Synthetic fluids – transmission/differential
Cab paint – red or black
Safety kit (fire extinguisher and triangle kit)
Rear stabilizer
Exhaust brake – electric-pneumatic with valve in exhaust pipe
Aluminum wheels

## ROADSIDE ASSISTANCE

HinoWatch (service free of charge)	3-year unlimited roadside assistance <ul style="list-style-type: none"> <li>• Lockout</li> <li>• Out of Fuel</li> <li>• Battery Jumpstart</li> <li>• Information</li> <li>• Warranty Towing</li> </ul>
------------------------------------	---

## NOTE:

All specifications of the products are with normal manufacturing allowances and tolerances. HINO MOTORS SALES U.S.A., INC. reserves the right to alter specifications at any time without previous notice. Some optional items may require extra lead time.