

HINO 145

4 x 2 CONVENTIONAL
 GVW 14,050 lbs. BBC 98"
 ENGINE MODEL J05D-TA (Turbo Intercooled)

DIMENSIONS (On standard specification)

| Production code | NA6JFSA | NA6JISA | NA6JKSA | NA6JMSA |
|--------------------------------------|---------|---------|---------|---------|
| Wheelbase code | F | J | K | M |
| Wheelbase A in. | 147.0 | 169.0 | 183.0 | 201.0 |
| Overall length B in. | 244.6 | 266.6 | 292.6 | 310.6 |
| Overall width C in. | 89.6 | 89.6 | 89.6 | 89.6 |
| Overall height D in. | 100.2 | 100.2 | 100.2 | 100.2 |
| Cab to axle E in. | 83.6 | 105.6 | 119.6 | 137.6 |
| Rear overhang F in. | 63.0 | 63.0 | 75.0 | 75.0 |
| Frame height at | | | | |
| Front axle G in. | 29.1 | 29.1 | 29.1 | 29.1 |
| Rear axle H in. | 33.1 | 33.1 | 33.1 | 33.1 |
| Road clearance (at front axle) J in. | 6.3 | 6.3 | 6.3 | 6.3 |
| Tread | | | | |
| Front K in. | 73.6 | 73.6 | 73.6 | 73.6 |
| Rear L in. | 71.1 | 71.1 | 71.1 | 71.1 |
| Cab height in. | 70.0 | 70.0 | 70.0 | 70.0 |
| Turning radius 180° | | | | |
| Tire in. | 488.2 | 552.8 | 593.7 | 646.5 |
| Wall to wall in. | 523.6 | 588.2 | 629.1 | 681.9 |

CHASSIS WEIGHTS (On std. spec.)

| | | | | |
|---------------------|------|------|------|------|
| Total weight MT lb. | 6780 | 6865 | 6910 | 6945 |
| Front axle MT lb. | 4510 | 4615 | 4650 | 4705 |
| Rear axle MT lb. | 2270 | 2250 | 2260 | 2240 |
| Total weight AT lb. | 6690 | 6790 | 6825 | 6865 |
| Front axle AT lb. | 4430 | 4540 | 4575 | 4625 |
| Rear axle AT lb. | 2260 | 2250 | 2250 | 2240 |

POWER LINE & PERFORMANCE

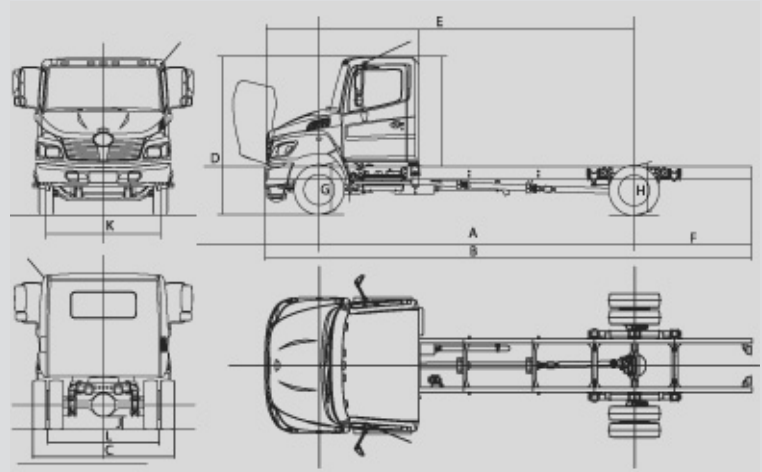
14,050 lbs. GVW & 215-85R16 tires

| | | | |
|-----------------------|---|----------------------|-------|
| Power line | Manual | Automatic | |
| | STD. | OPT. | |
| Max. speed mph | 74 | 73 | |
| Transmission Model | Eaton FS4205A | AI SIN 450-43LE | |
| Type | Five-speed direct drive synchromesh 2nd-5th | Four-speed automatic | |
| Ratios | 1st. | 8.050 | 3.018 |
| | 2nd. | 4.350 | 1.548 |
| | 3rd. | 2.450 | 1.000 |
| | 4th. | 1.480 | 0.703 |
| | 5th. | 1.000 | - |
| | Rev. | 8.050 | 2.678 |
| Rear axle gear ratios | 3.580 | 5.130 | |

ENGINE

| | |
|-------------------------|--|
| Model | HINO J05D-TA - 2004EPA Certified |
| Type | Diesel 4-cycle, 4-cylinder in-line, water-cooled |
| Combustion system | Direct injection type |
| Max. output (SAE Gross) | 175HP at 2,700 rpm |
| Max. torque (SAE Gross) | 347 lb.-ft. at 1,600 rpm |
| Bore and stroke | 4.41 x 4.72 in. |
| Piston displacement | 5 L |
| Fuel system | Common rail |
| Governor | Electronically controlled |
| Intake system | Turbocharged and intercooled |
| Air cleaner | Paper filter type ("DONALDSON") |
| Fan clutch | Bimetal thermostat sensor, regulates fan speed |

HINO TRUCKS
 A TOYOTA Group Company
 WWW.HINO.COM [T]248.648 6400



HINO 145

4 x 2 CONVENTIONAL, GVW 14,050 lbs. BBC 98"
ENGINE MODEL J05D-TA (Turbo Intercooled) Spec. No. SS-NA002

WEIGHT CAPACITIES

| | | |
|--------------|------|--------|
| Front axle | lbs. | 5,360 |
| Rear axle | lbs. | 9,880 |
| Front spring | lbs. | 6,000 |
| Rear spring | lbs. | 11,000 |

LIQUID CAPACITIES

| | | |
|----------------|---------|---|
| Fuel tank | gal./US | 35 |
| Cooling system | gal./US | 4.6 : Eaton FS4205A 4.5 : AISIN 450-43LE |

AXLE / SUSPENSION

| | |
|--------------|--|
| Front axle | MFS-6 series reversed Elliot, "I" beam |
| Front spring | Taper-leaf springs shock absorbers |
| Rear axle | MS12-113 series full-floating, single reduction single-speed by hypoid gears |
| Rear spring | Semi-elliptic main and auxiliary helper-leaf spring |

FRAME

| | | |
|---|-----------------------------|--------|
| Ladder type | Straight C channel | |
| Width | in. | 34 |
| Yield strength | PSI | 80,000 |
| Resisting bending moment (one side) in_lbs. | 655,100 no reinforcement | |

STEERING

| | |
|------|--|
| Type | Telescopic and tilt steering column TRW-TAS40 |
|------|--|

BRAKES

| | | |
|--|--|----------------------|
| Service brake | Hydraulic system with disc brake for front and rear wheels , with automatic adjustment | |
| Disc diameter x lining width x thickness in. | Front; | 11.97 x 17.05 x 0.61 |
| | Rear; | 11.97 x 17.05 x 0.61 |
| Control | Hydraulic dual circuit with Antilock Brake System(ABS) | |
| Parking brake | Mechanical, internal expanding acting on transmission output shaft | |
| Drum diameter in. | 9 : | FS4205A |
| | 10 : | Aisin 450-43LE |

CLUTCH

| | |
|-----------------------------|---|
| Type | Dry single plate with damper springs EATON-SPICER AR350 series |
| Facing material | Cerametallic |
| Facing outside diameter in. | 12.00 |
| Control | Hydraulic |

WHEELS / TIRES

| | |
|------------------|------------------------------------|
| 6 Wheels (Steel) | 16 x 6k 6-stud disc. |
| 6 Tires | 215/85R16 - Bridgestone R265/M773A |

CAB EQUIPMENT

| | |
|--------------------------|--|
| Cab construction | All steel welded |
| Seating | Three man |
| Driver's seat | Adjustable, reclining, vinyl covered seat, coil suspension |
| Passenger's seat | Bench type, vinyl, 2 passenger |
| Seat belts | 3-point type (driver and passenger), one 2-point type (center) |
| Air conditioner | Denso 134 |
| Heater/Defroster | 18,357 BTU/h |
| Mirrors outside rearview | Four, 1 flat and 1 convex at each side |
| Sun visors | Two |
| Windshield | Laminated |
| Windshield wipers | Dual electric, 2-speed and intermittent |
| Cruise control | Equipped |

DASH INSTRUMENTATION

| |
|--|
| Meters and gauges ft. lb. system |
| Speedometer-mph (km/h) |
| Odometer (mile) |
| Fuel gauge |
| Coolant temperature gauge |
| Engine tachometer |
| Warning and buzzers |
| Oil pressure warning lamp and buzzer |
| Brake pressure warning lamp and buzzer |
| Coolant level warning lamp and buzzer |
| Battery charging warning lamp |
| High beam indicator lamp |
| Turn signal pilot lamp |
| Parking brake warning lamp |
| Engine control system warning lamp |
| ABS warning lamp |

ELECTRICAL EQUIPMENT

| | |
|-------------------------|---|
| Batteries | Two, parallel connection, each 12 V |
| Capacity | 1200 CCA |
| Alternator | 12 V, 100 A, brush (Delco) |
| Starter | 12 V |
| Audio | AM/FM radio with CD player |
| Headlamps | Integrated with turn signal and hazard lamp |
| Daytime running lamps | |
| Stop/Tail lamps | |
| Back-up lamps | |
| Side-flasher lamp | |
| Dome lamp | |
| Front side marker lamps | |
| Clearance lamps (front) | |

CHASSIS EQUIPMENT

| | |
|-----------------|--|
| Fuel pre-filter | Pre-filter (dust) and sedimenter (water) |
| Reflectors | Two rear, two front side |
| Hook | One at front |

Options

| |
|--|
| <input type="checkbox"/> Cold weather package (Block heater, heated mirror, glow plugs and heated pre-filter/sediment) |
| <input type="checkbox"/> Cloth seats |
| <input type="checkbox"/> Single passenger's seat - Adjustable reclining |
| <input type="checkbox"/> Alternator - 12 V, 105 A, brushless (Denso) |
| <input type="checkbox"/> Front spring; with stabilizer |
| <input type="checkbox"/> Rear spring; with dual acting shock absorbers |
| <input type="checkbox"/> 4 inch extended, Front bumper (Black) |
| <input type="checkbox"/> Power windows |
| <input type="checkbox"/> Battery GR27 x 3 |
| <input type="checkbox"/> Engine block heater |
| <input type="checkbox"/> Heated mirrors |

NOTE : All specifications of the products are within normal manufacturing allowances and tolerances. HINO MOTORS SALES U.S.A.,INC. reserves the right to alter specifications at any time without previous notice. Some optional items of equipment may require extra time due to the need for their adaptation on the product line.