

HINO 258 LP

4 x 2 CONVENTIONAL
GVW 25,500 lbs. BBC 108"
ENGINE MODEL J08E-TA
(Turbo Intercooled)

DIMENSIONS (On standard specification)

Production code		ND8JISA	ND8JLSA	ND8JMSA	ND8JPISA	ND8JRISA	ND8JTSA
Wheelbase code		J	L	M	P	R	T
Wheelbase	A in.	175.0	187.0	205.0	217.0	235.0	253.0
Overall length	B in.	278.6	302.6	320.6	354.6	372.6	390.6
Overall width	C in.	95.7	95.7	95.7	95.7	95.7	95.7
Overall height	D in.	102.4	102.4	102.4	102.4	102.4	102.4
Cab to axle	E in.	107.6	119.6	137.6	149.6	167.6	185.6
Rear overhang	F in.	63.0	75.0	75.0	97.0	97.0	97.0
Frame height at							
Front axle	G in.	32.7	32.7	32.7	32.7	32.7	32.7
Rear axle	H in.	35.6	35.6	35.6	35.6	35.6	35.6
Road clearance (at diff.axle)	J in.	7.1	7.1	7.1	7.1	7.1	7.1
Tread							
Front	K in.	79.5	79.5	79.5	79.5	79.5	79.5
Rear	L in.	72.6	72.6	72.6	72.6	72.6	72.6
Cab height	in.	69.0	69.0	69.0	69.0	69.0	69.0
Turning radius 180°							
Tire	in.	575.6	611.2	663.8	699.4	752.0	804.8
Wall to wall	in.	615.8	651.2	704.0	739.4	792.2	844.8

CHASSIS WEIGHTS (On std. spec.)

Total weight	MT lb.	8,995	9,085	9,185	9,295	9,335	9,395
Front axle	MT lb.	5,775	5,830	5,925	5,945	5,995	6,055
Rear axle	MT lb.	3,220	3,255	3,260	3,350	3,340	3,340
Total weight	AT lb.	8,920	9,050	9,110	9,250	9,265	9,360
Front axle	AT lb.	5,710	5,800	5,855	5,895	5,935	6,020
Rear axle	AT lb.	3,210	3,250	1,475	3,350	3,330	3,340

POWER LINE & PERFORMANCE 25,500 lbs. GVW

245/70R19.5(G) tires.

Power line	Manual	Automatic
	STD.	STD.
Max. speed mph	79	83
Transmission Model	Eaton FS5406	Allison 2200RDS
Type	Six-speed direct drive synchromesh 1st-6th	Five-speed automatic
Ratios	1st.	9.010
	2nd.	5.270
	3rd.	3.220
	4th.	2.040
	5th.	1.360
	6th.	1.000
	Rev.	8.630
Rear axle gear ratios	3.070	4.110

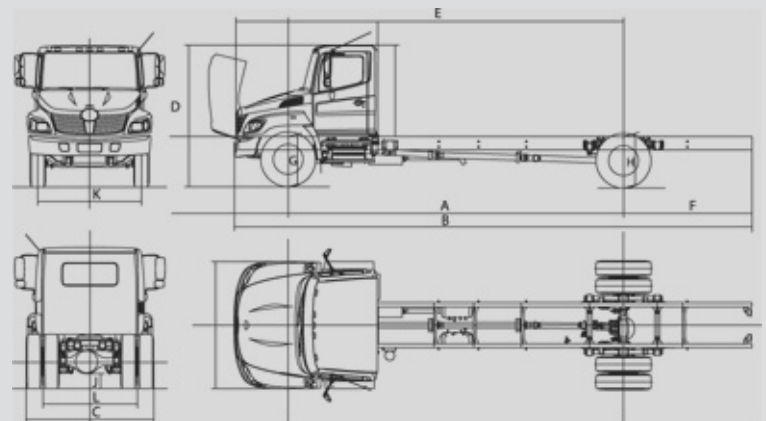
ENGINE

Model	HINO J08E-TA - 2004 EPA Certified
Type	Diesel 4-cycle, 6-cylinder in-line, water-cooled
Combustion system	Direct injection type
Max. output (SAE Gross)	220HP at 2,500 rpm
Max. torque (SAE Gross)	520 lb.-ft. at 1,500 rpm
Bore and stroke	4.41 x 5.12 in.
Piston displacement	8 L
Fuel injection	Radial plunger pump (HP-4)
Governor	Electronically controlled
Intake system	Turbocharged and intercooled
Air cleaner	Paper filter type ("DONALDSON")
Fan clutch	Bimetal thermostat sensor, regulates fan speed

HINO  **TRUCKS**™

A TOYOTA Group Company

WWW.HINO.COM [T]248.648 6400



SEE THE 258 IN ACTION AT WWW.HINO.COM

HINO 258

LP

4 x 2 CONVENTIONAL, GVW 25,500 lbs. BBC 108"
ENGINE MODEL J08E-TA (Turbo Intercooled) Spec.No.SS-ND010

WEIGHT CAPACITIES

Front axle	lbs.	8,000
Rear axle	lbs.	17,500
Front spring	lbs.	8,000
Rear spring	lbs.	19,000

LIQUID CAPACITIES

Fuel tank	gal./US	52
Cooling system	gal./US	5.68 : Eaton FS5406 5.55 : Allison 2200RDS

AXLE / SUSPENSION

Front axle	MFS-8 series reversed Elliot, "I" beam
Front spring	Taper-leaf springs shock absorbers
Rear axle	RS17-145 series full-floating, single reduction single-speed by hypoid gears
Rear spring	Semi-elliptic main and auxiliary helper-leaf spring

FRAME

Ladder type	Straight C channel	
Width	in.	34
Yield strength	PSI	80,000
Resisting bending moment (one side) in_lbs.		1,031,900 no reinforcement

STEERING

Type	Telescopic and tilt steering column TRW-TAS65
------	---

BRAKES

Service brake	Hydraulic system with disc brake for front and rear wheels , with automatic adjustment
Disc diameter x lining width x thickness in.	Front; 15.375 x 18.96 x 0.74 Rear; 15.375 x 18.96 x 0.74
Control	Hydraulic dual circuit with Antilock Brake System(ABS)
Parking brake	Mechanical, internal expanding acting on transmission output shaft
Drum diameter in.	12 : Eaton FS5406 9 : Allison 2200RDS

WHEELS / TIRES

6 Wheels (Steel)	19.5X6.75 8-stud disc..
6 Tires	245/70R19.5 (G) - Bridgestone R250F/M724F

CLUTCH

Type	Dry single plate with damper springs EATON-SPICER SAS1401 series
Facing material	Cerametallic
Facing outside diameter in.	13.80
Control	Hydraulic

CHASSIS EQUIPMENT

Fuel pre-filter	Pre-filter (dust) and sedimenter (water)
Reflectors	Two rear, two front side
Hook	One at front

CAB EQUIPMENT

Cab construction	All steel welded
Seating	Three man
Driver's seat	Adjustable, reclining, vinyl covered seat, coil suspension
Passenger's seat	Bench type, vinyl, 2 passenger
Seat belts	3-point type (driver and passenger), one 2-point type (center)
Air conditioner	Denso 134
Heater/Defroster	18,357 BTU/h
Mirrors outside rearview	Four, 1flat and 1 convex at each side
Sun visors	Two
Windshield	Laminated
Windshield wipers	Dual electric, 2-speed and intermittent
Cruise control	Equipped

DASH INSTRUMENTATION

Meters and gauges ft. lb. system	Speedometer-mph (km/h) Odometer (mile) Fuel gauge Coolant temperature gauge Engine tachometer
Warning and buzzers	Oil pressure warning lamp and buzzer Brake pressure warning lamp and buzzer Coolant level warning lamp and buzzer Battery charging warning lamp High beam indicator lamp Turn signal pilot lamp Parking brake warning lamp Engine control system warning lamp ABS warning lamp

ELECTRICAL EQUIPMENT

Batteries	Two, parallel connection, each 12 V
Capacity	1200 CCA
Alternator	12 V, 100 A, brush (Delco)
Starter	12 V, 4.8 kW
Audio	AM/FM radio with CD player
Headlamps	Integrated with turn signal and hazard lamp
Daytime running lamps	
Stop/Tail lamps	
Back-up lamps	
Side-flasher lamp	
Dome lamp	
Front side marker lamps	
Clearance lamps (front)	

Options

- _ Cold weather package (Block heater, heated mirror, glow plugs and heated pre-filter/sedimenter)
- _ Cloth seats
- _ Single passenger's seat - Adjustable reclining
- _ Clutch control with auto adjuster (1401 SOLO)
- _ Twin plate clutch (1402)
- _ Twin plate clutch control, auto adjuster (1402)
- _ Alternator - 12 V, 105 A, brushless (Denso)
- _ Dual fuel tank; 52 Gal x 2
- _ Fuel tank; 95 Gal
- _ Fuel filter; Davco
- _ Rear spring; with stabilizer
- _ Rear spring; with dual acting shock absorbers
- _ 4 inch extended, front bumper (black)
- _ 3 piece, front bumper
- _ 4 inch extended, 3 piece, front bumper (black)
- _ Power windows
- _ Battery GR31
- _ Battery GR27 x 3
- _ Battery GR31 x 2
- _ Engine block heater
- _ Heated mirrors

NOTE : All specifications of the products are within normal manufacturing allowances and tolerances. HINO MOTORS SALES U.S.A.,INC. reserves the right to alter specifications at any time without previous notice. Some optional items of equipment may require extra time due to the need for their adaptation on the product line.