

HINO 145

4 x 2 CONVENTIONAL

GVW: 14,050 lbs.

BBC: 98"

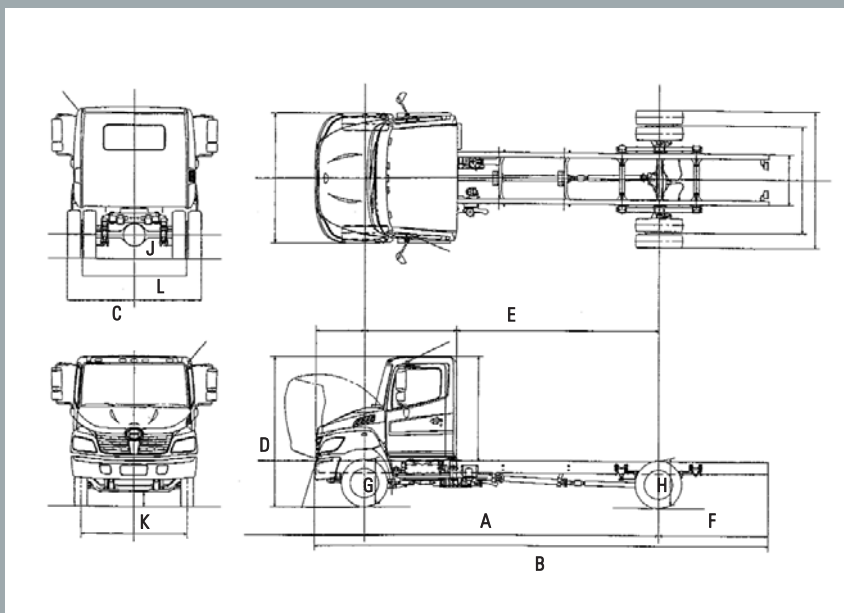
ENGINE MODEL: J05D-TF (Turbo Intercooled)

DIMENSIONS (On standard specification)

Wheelbase/code	A in.	147.0/F	169.0/J	183.0/K	201.0/M
Overall length	B in.	244.6	266.6	292.6	310.6
Overall width	C in.	89.6	89.6	89.6	89.6
Overall height	D in.	100.4	100.4	100.4	100.4
Cab to axle	E in.	83.6	105.6	119.6	137.6
Rear overhang	F in.	63.0	63.0	75.0	75.0
Frame height at:	Front axle	G in.	29.1	29.1	29.1
	Rear axle	H in.	33.1	33.1	33.1
Road clearance (at front axle)	J in.	6.3	6.3	6.3	6.3
Tread:	Front	K in.	73.6	73.6	73.6
	Rear	L in.	71.1	71.1	71.1
Turning radius:	Tire	ft.	40.6	46.0	49.4
	Wall to wall	ft.	43.6	49.0	52.4

CHASSIS WEIGHTS (On standard specification)

AT	Total weight	lb.	6,790	6,890	6,940	6,980
	Front axle	lb.	4,520	4,620	4,670	4,710
	Rear axle	lb.	2,270	2,270	2,270	2,270



ENGINE

MODEL	HINO J05D-TF
Type	Diesel 4-cycle, 4-cylinder in-line, water-cooled
Combustion system	Direct injection type
Max. output (SAE Gross)	175 hp at 2,500 rpm
Max. torque (SAE Gross)	376 lb.-ft. at 1,600 rpm
Bore and stroke	4.41 x 4.72 in.
Piston displacement	5 L
Fuel injection pump	Radial plunger (HP-3)
Governor	Electronically controlled
Intake system	Turbocharged and intercooled
Air cleaner	Paper filter type (DONALDSON)
Fan clutch	Bimetal thermostat sensor regulates fan speed
Glow plugs	Standard
Air compressor	Single cylinder, 6.8 cfm @ 1,250 rpm

POWERTRAIN & PERFORMANCE

14,050 lbs. GVWR & 215/85R16 tires		
Max. speed mph	78	
Startability (tan.θ) %	57.6	
Transmission	Model	AISIN 450-43LE
	Type	Four-speed automatic
Ratios	1st.	3.018
	2nd.	1.548
	3rd.	1.000
	4th.	0.703
	5th.	-
	Rev.	2.678
Rear axle gear ratios	4.780	

HINO  **TRUCKS**TM
A Toyota Group Company

HINO 145

4 x 2 CONVENTIONAL

GVW: 14,050 lbs. BBC: 98"

ENGINE MODEL: J05D-TF (Turbo Intercooled)

SPEC NO. SS-NC004

WEIGHT CAPACITIES

Front axle	lbs.	5,360
Rear axle	lbs.	9,880
Front spring	lbs.	6,000
Rear spring	lbs.	11,000

LIQUID CAPACITIES

Fuel tank	gal./US	35
Cooling system	gal./US	5.16
Engine oil	qt./US	10.73

AXLE / SUSPENSION

Front axle	MFS6 series reversed Elliot, "I" beam
Front spring	Taper-leaf springs w/shock absorbers
Rear axle	MS113 series full-floating, single reduction single-speed by hypoid gearings
Rear spring	Semi-elliptic main and auxiliary helper-leaf spring

FRAME

Ladder type	Straight C Channel	
Width	in.	34
Yield strength	PSI	80,000
Resisting bending moment (one side)	in./lbs.	655,100 no reinforcement

STEERING

Type	TRW-TAS40 recirculating ball with tilt and telescopic steering column
------	-----------------------------------------------------------------------

WHEELS / TIRES

6 Wheels	16 x 6k 6-stud disc
6 Tires	215/85R16
Pattern	Front rib/Rear lug

BRAKES

Service brake	Hydraulic system with disc brake for front and rear wheels, with automatic adjustment
Disc diameter x pad area x thickness in.	Front; 11.97 x 17.05 x 0.61 Rear; 11.97 x 17.05 x 0.61
Control	Hydraulic dual circuit with Antilock Brake System (ABS)
Parking brake	Mechanical, internal expanding acting on transmission output shaft
Drum diameter in.	10 : Meritor

CAB EQUIPMENT

Cab construction	All steel welded
Seating	Three-person
Driver's seat	Adjustable reclining, vinyl with coil suspension
Passenger's seat	Bench type, vinyl (two passenger)
Seat belts	3-point type (driver and passenger), one 2-point type (center)
A/C	134 Denso
Heater/Defroster	18,357 BTU/h
Mirrors outside rearview	Four; one flat and one convex at each side
Sun visors	Two – flip-down
Overhead compartment	Two with latching doors
Chrome grille	Standard
Windshield	Laminated
Windshield wipers	Dual electric, 2-speed and intermittent
Cup holders	Standard
Cigarette lighter	Standard
Coat hook	One (rear panel)
Door pockets	Two
Cruise control	Standard

DASH INSTRUMENTATION

Meters and gauges	Speedometer-mph (km/h) Odometer (mile) Fuel gauge Coolant temperature gauge Engine tachometer
Warning lamps and buzzers	Oil pressure warning lamp and buzzer Brake pressure warning lamp and buzzer Coolant level warning lamp and buzzer Battery charging system warning lamp High beam indicator lamp Turn signal indicator Parking brake warning lamp Engine control system warning lamp ABS warning lamp
Driver Information Display	Instant & trip fuel consumption DPR monitor Maintenance Engine/vehicle diagnostics

ELECTRICAL EQUIPMENT

Batteries	Two, parallel connection, each 12 V
Capacity	1200 CCA
Alternator	12 V, 100 A, brush Delco
Starter	12 V 2.5kw Denso
Audio	AM/FM radio with CD, two speaker
Headlamps	Integrated with turn signal and hazard lamps
Stop/Tail lamps	
Back-up lamps	
Side-flasher lamp	
Trucklite LED cab marker lamps	
Electric horn (dual)	

CHASSIS EQUIPMENT

Fuel pre-filter	Racor fuel/water separator
Reflectors	Two rear, two front side
Two hook	One at front
Air dryer	NABCO, heated
Air tank	49 L

OPTIONS

Front stabilizer
Rear shock absorbers
Cold weather package (including) Heated mirror Heated pre-filter and sedimenter Block heater
Front bumper (4 inch extension/black)
Front bumper (chrome)
Front bumper (4 inch extension/chrome)
Alternator – 12 V, 105 A, brushless
Battery – 12 V GR27 x 3
Extra switch for Rr body roomlamp
Tires – Front rib, Rear rib
Fender-mounted mirrors
Cloth seats
Single passenger's seat – adjustable reclining
Chrome mirrors
Power windows
Synthetic fluids – transmission/rear differential
Safety kit (fire extinguisher and triangle kit)
Exhaust brake – Electric-pneumatic with valve in exhaust pipe

ROADSIDE ASSISTANCE

HinoWatch (service free of charge)	3-year unlimited roadside assistance • Lockout • Out of Fuel • Battery Jumpstart • Information • Warranty Towing
------------------------------------	---------------------------------------------------------------------------------------------------------------------------------

NOTE:

All specifications of the products are with normal manufacturing allowances and tolerances. HINO MOTORS SALES U.S.A., INC. reserves the right to alter specifications at any time without previous notice. Some optional items may require extra lead time.